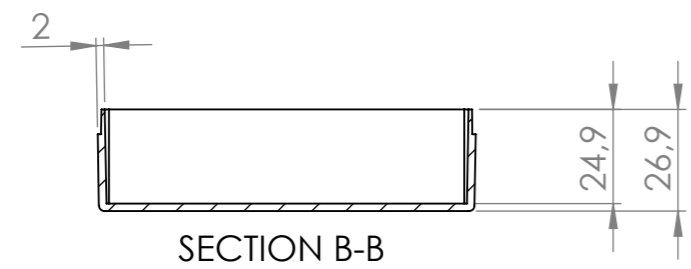
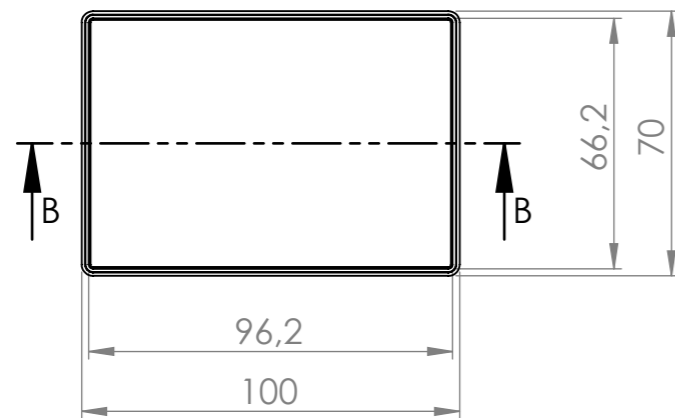
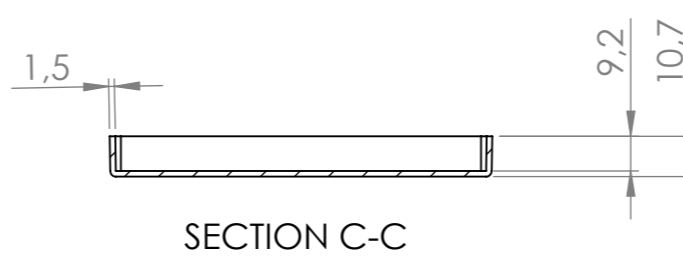
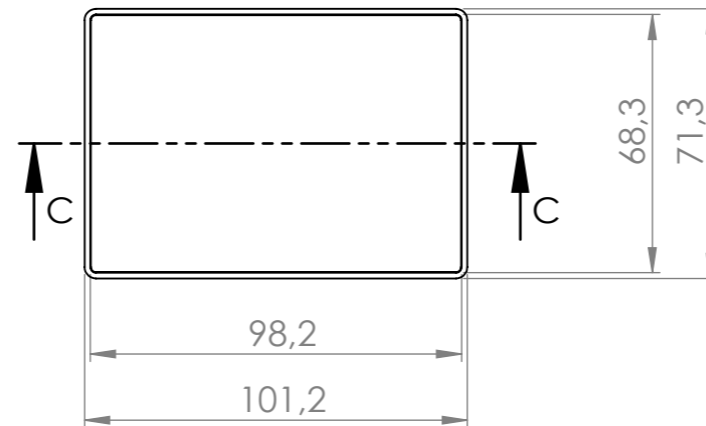


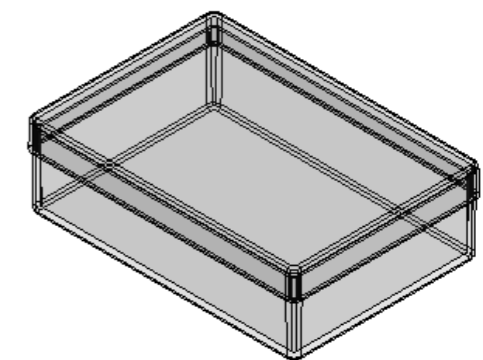
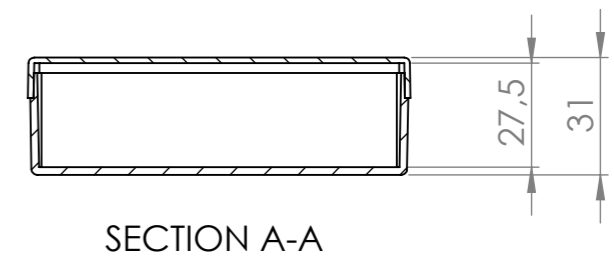
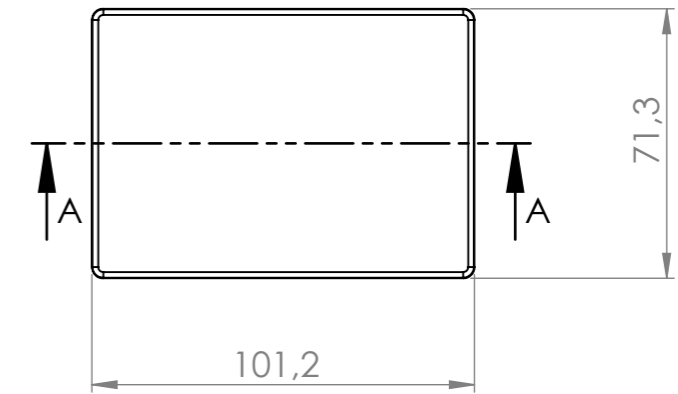
body



cover



assembly



Dimensional tolerance $\pm 0,5$ mm

Format	Scale	 MASZCZYK [®] PLASTIC ENCLOSURES
A3	1:2	
Product No.		„MASZCZYK” 05-071 Sulejówek-Miłosna ul. Mickiewicza 10 tel: (22) 783-45-20 kom: 602-726-086
KM - 162		