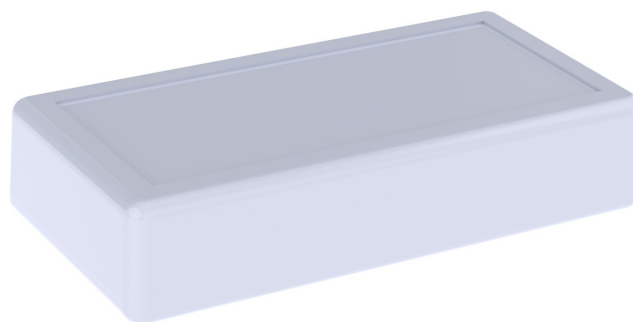


SECTION A-A



Dimensional tolerance $\pm 0,3$ mm

maxPCB: 53x30 mm

Components:

- body
- cover
- 2x screw

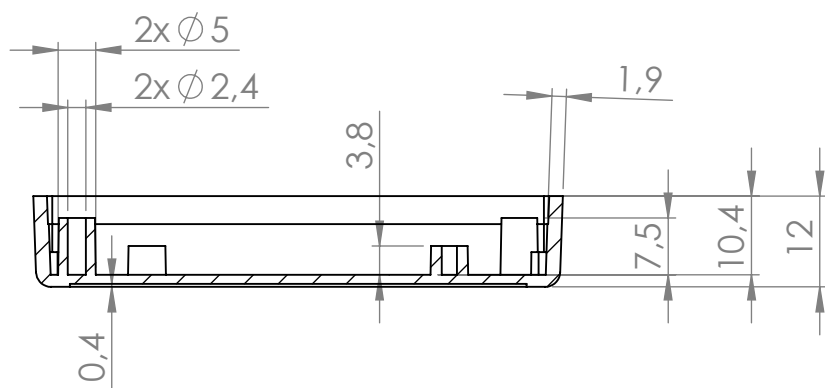
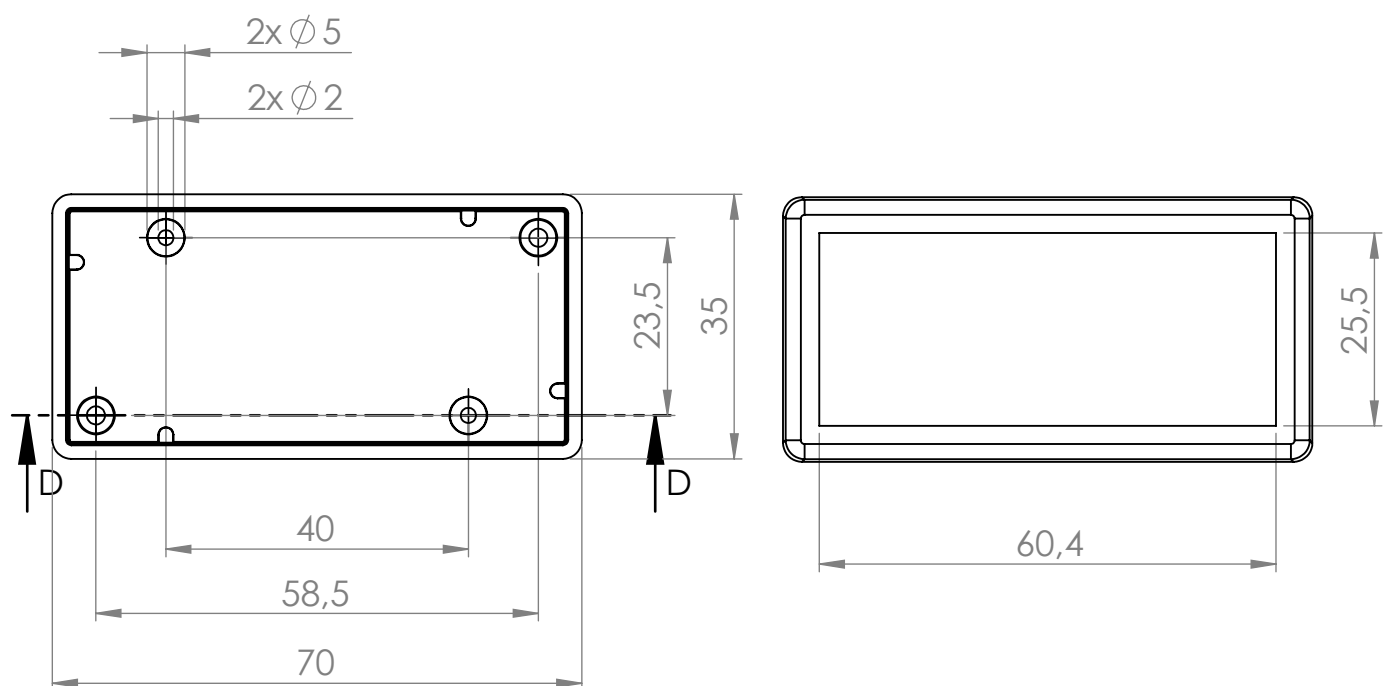
| | |
|-------------------------|--------------|
| Format A4 | Scale 1:1 |
| Product No. KM - 211 | |



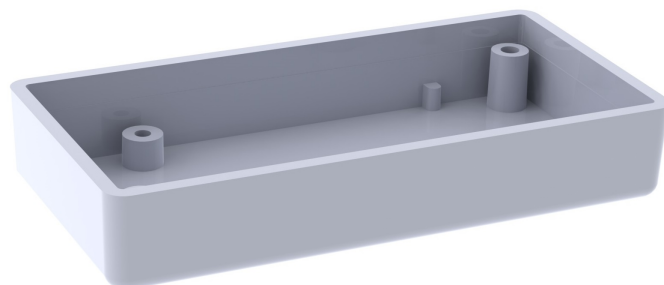
MASZCZYK[®]
PLASTIC ENCLOSURES

„MASZCZYK”
05-071 Sulejów-Miłosna
ul. Mickiewicza 10
tel: (22) 783-45-20 kom: 602-726-086


body



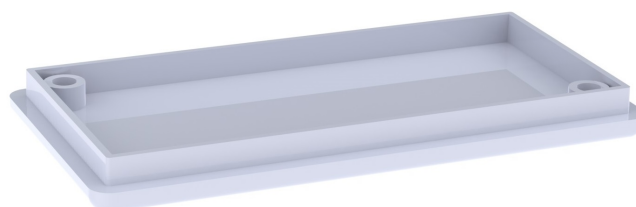
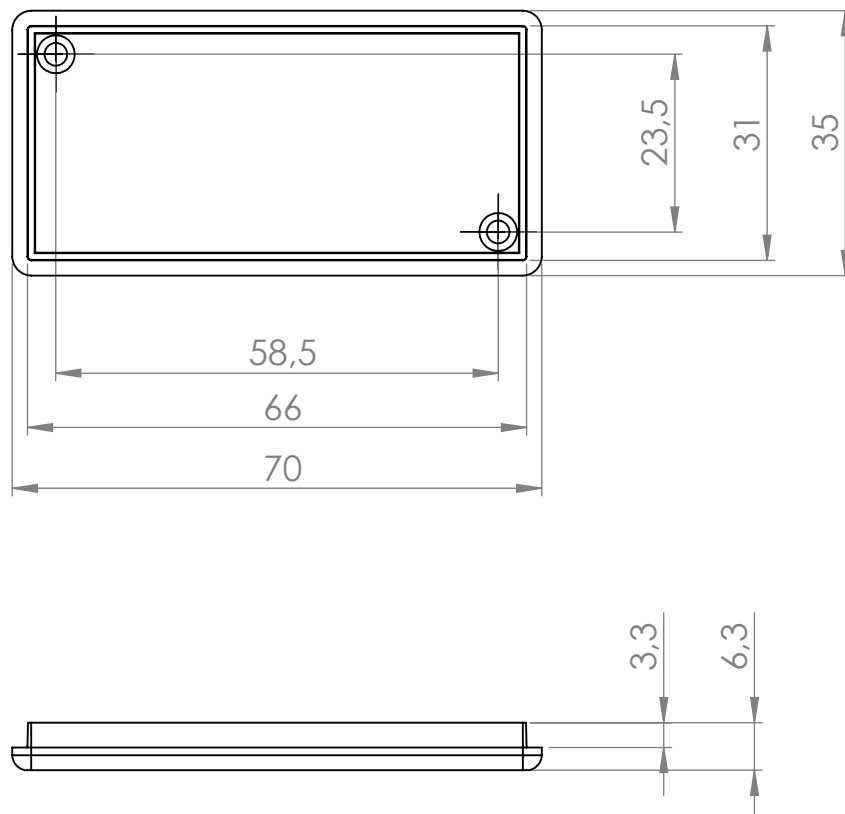
SECTION D-D



Dimensional tolerance $\pm 0,3$ mm

| | | |
|-------------------------|--------------|--|
| Format A4 | Scale 1:1 |  MASZCZYK [®] PLASTIC ENCLOSURES „MASZCZYK” 05-071 Sulejówek-Miłosna ul. Mickiewicza 10 tel: (22) 783-45-20 kom: 602-726-086 |
| Product No. KM - 211 | | |

cover



Dimensional tolerance $\pm 0,3$ mm

| | | |
|-------------------------|--------------|--|
| Format A4 | Scale 1:1 |  MASZCZYK [®] PLASTIC ENCLOSURES „MASZCZYK” 05-071 Sulejówek-Miłosna ul. Mickiewicza 10 tel: (22) 783-45-20 kom: 602-726-086 |
| Product No. KM - 211 | | |